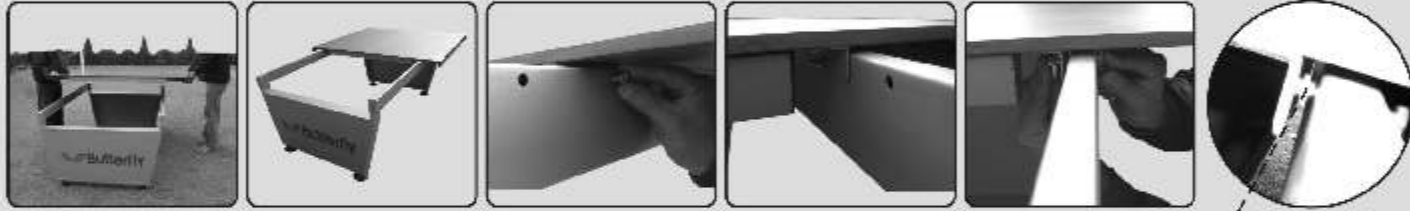




### STEP - 4



Attach table frame bracket (P21) with legs side pipe (P25) using nut & bolt size 38x7.5mm (P19) & tighten with the help of 2 spanners (P13)

Washer (P20) between (P17) & (P21)

**STEP - 5** Repeat step 4 for the second half

### STEP - 6

### STEP - 6



Attach post (P10) with table frame (P3) using nut & bolt (P23) & tighten it with the help of 2 spanners (P13)

Place the net (P11) into post (P10) using bolt (P24) & tighten it with the help of spanner (P13)

Washer (P20) between (P10) & (P11)

**YOUR TABLE IS NOW READY FOR PLAY**

#### SAFETY INSTRUCTIONS

Children below 14 years should not assemble the table.  
This table is suitable for indoor and outdoor use.  
Always cover the table when not in use

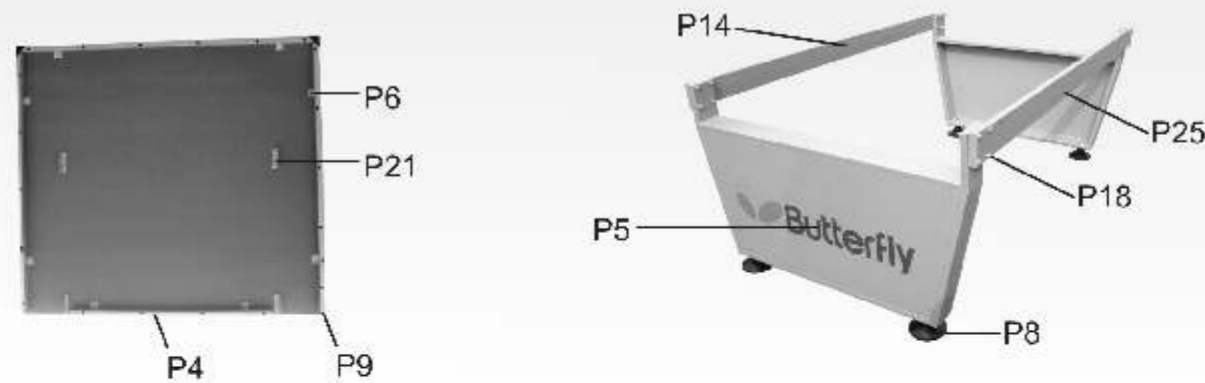
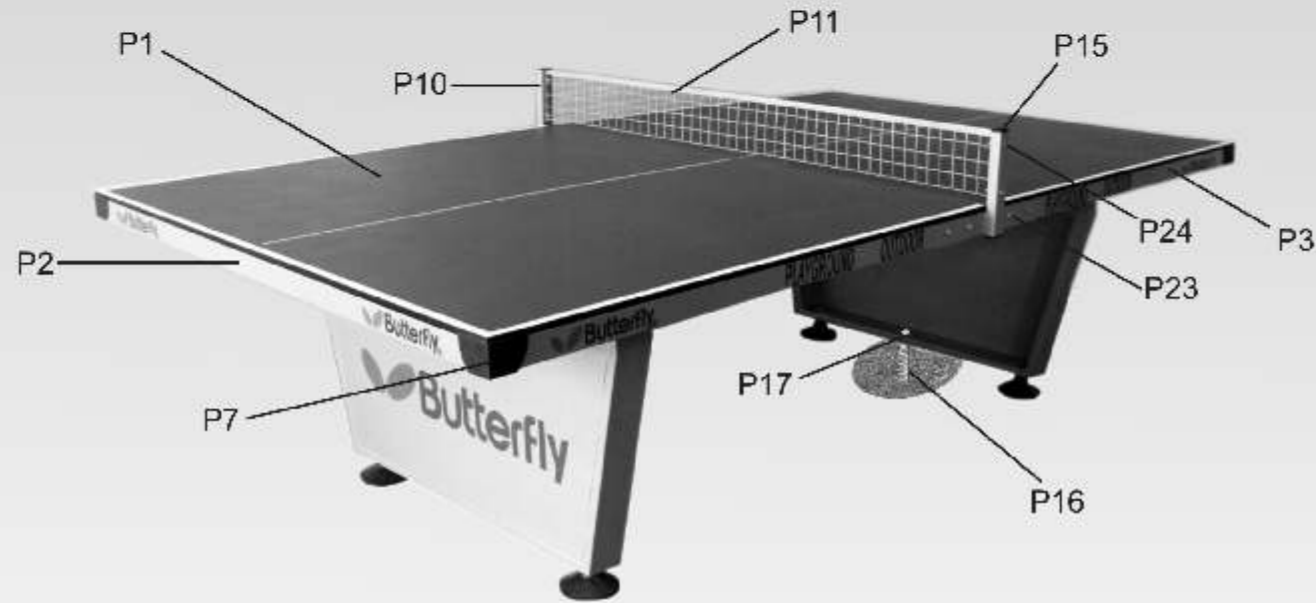


## Play Ground Outdoor Table Tennis Table Assembly Instructions

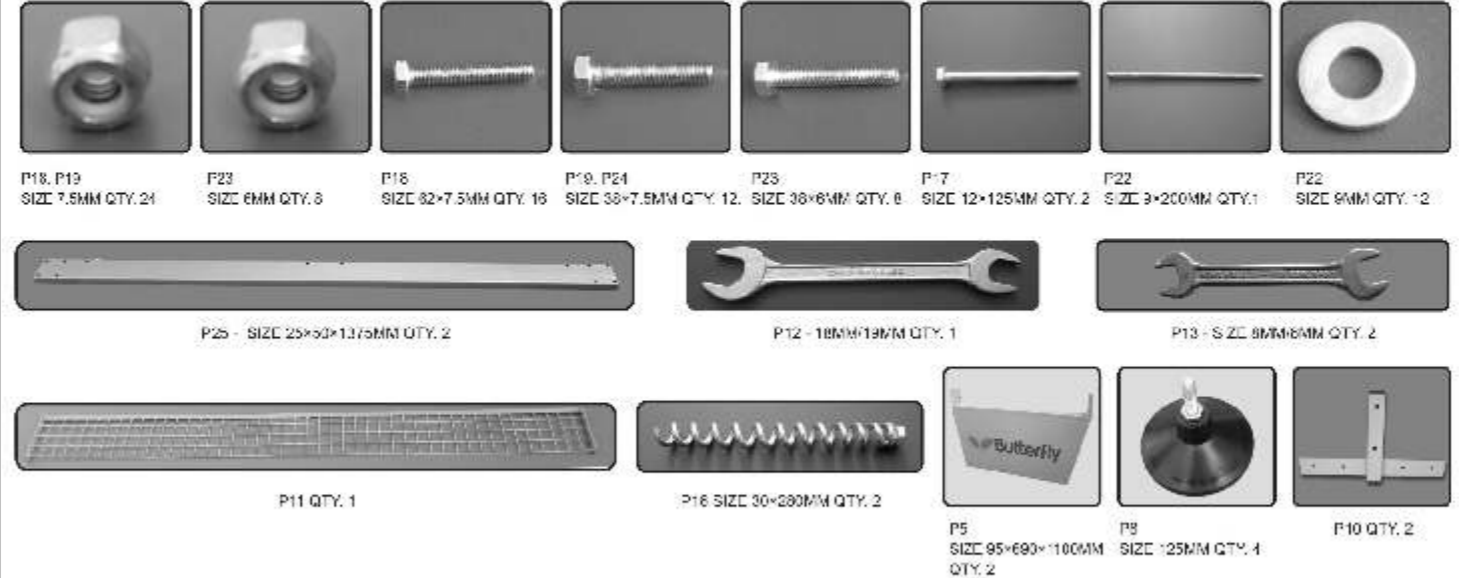




## PARTS LIST



- |   |  |
|---|--|
| 1. TABLE TOP W/P SIZE 1525x1370x12MM- 2 NOS.                  | 13. SPANNER SIZE 8MM/6MM - 2 NOS.  |
| 2. END FRAME PIPE SIZE 25x50x1472MM- 2 NOS.                   | 14. FRAME TO ATTACH LEGS FRAME SIZE 23x95x850MM - 2NOS.                        |
| 3. SIDE FRAME PIPE SIZE 25x50x1375MM- 4 NOS.                  | 15. PLASTIC CAP FOR (STEEL) PCST SIZE 25x38MM - 4 NOS.                         |
| 4. INNER FRAME PIPE SIZE 25x50x100MM - 2 NOS.                 | 16. SPRING TO ATTACH LEG INNER FRAME WITH GROUND SIZE 30x280MM - 2 NOS.        |
| 5. LEGS SIZE 95x690x1100MM - 2 NOS.                           | 17. BOLT TO ATTACH LEG INNER FRAME WITH SPRING NUT SIZE 12x125MM - 2 NOS.      |
| 6. BRACKET FOR FRAME PIPE SIZE 25x100 - 18 NOS.               | 18. BOLT TO ATTACH LEG WITH LEGS SIDE PIPE (P25) SIZE 62x7.5MM - 16 NOS.       |
| 7. OUTER CORNER SIZE 47MM - 4NOS.                             | 19. BOLT TO ATTACH LEG SIDE PIPE WITH TABLE TOP BRACKET SIZE 38x7.5MM - 8 NOS. |
| 8. LEVELLERS SIZE 125MM ROUND - 4 NOS.                        | 20. WASHER SIZE 9MM - 12NOS.   |
| 9. PLASTIC CAP FOR SIDE & END FRAME PIPE SIZE 25x50MM- 8 NOS. | 21. BRACKET TO ATTACH TABLE TOP WITH LEGS SIDE FRAME SIZE 9x35x100MM - 8 NOS.  |
| 10. POST SET - 1 NOS.   | 22. STEEL ROD SIZE 9x200MM - 1 NOS.  |
| 11. STEEL NET - 1 NOS.  | 23. BOLT TO ATTACH FRAME WITH POST SIZE 38x6MM - 8NOS.                         |
| 12. SPANNER SIZE 18MM/19MM - 1 NOS.                           | 24. BOLT TO ATTACH POST WITH NET SIZE 38x7.5MM - 4 NOS.                        |
|   | 25. P PE TO ATTACH LEGS SIZE 25x50x1375MM - 2 NOS.                             |



## ADULT ASSEMBLY REQUIRED

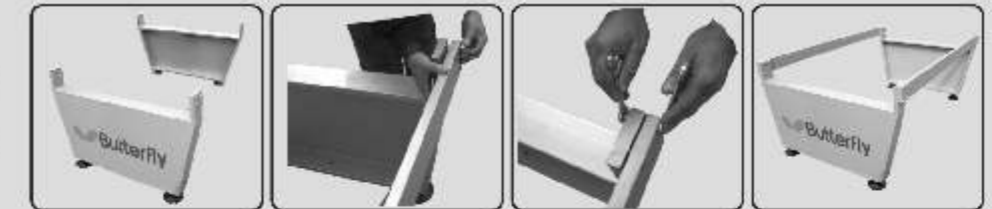
Please read the safety instructions at the bottom of page- 4

### STEP - 1



Attach the levellers (P8) with both the legs (P5).

### STEP - 2



Attach pipe (P25) with legs (P5) using nut & bolt 62x7.5mm (P18) (both side) & tighten with the help of 2 spanners (P13).

### STEP - 3



Mark the hole through legs inner frame both side with rod (P22). Remove the legs & insert the spring (P16) into the ground & spin the spring with spanner (P12) make sure that the spring nut remains out. Bring legs inner frame (P5) on to the spring nut (P16) & insert the bolt (P17) & tighten with the help of spanner (P12)